

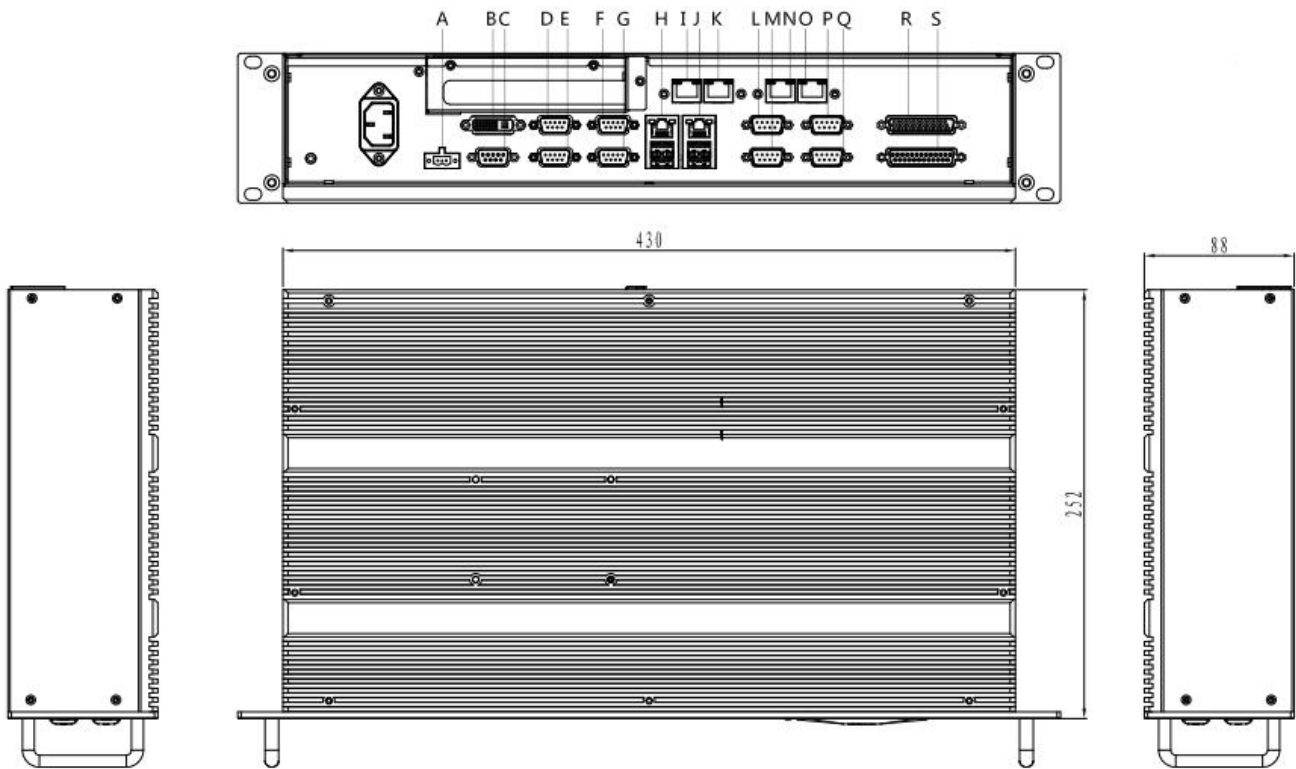


Specifications :

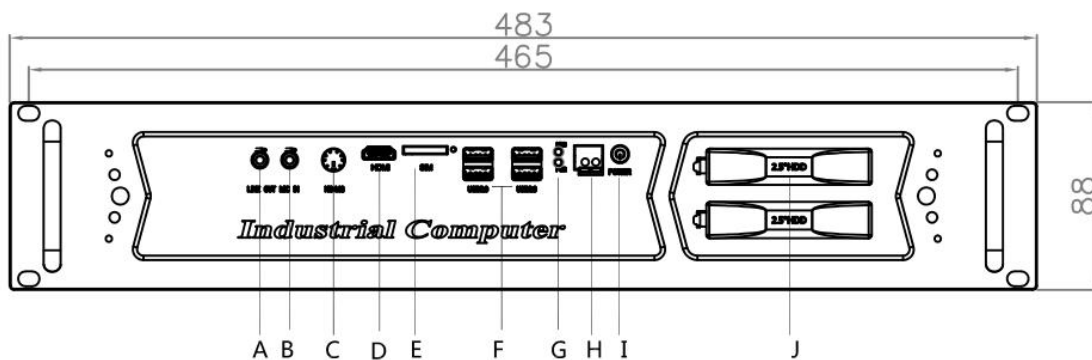


Processor	CPU	Intel® Core™ 6/7/8/9th generation i7 / i5 / i3 / Pentium® / Celeron® , LGA1151
	Chipset	Intel H110 Express Chipset
	BIOS	AMI UEFI 64M bit
Memory	Architecture	DDR4-2400MHz
	Capacity	Support Up to 32GB
	DIMM	2 x 260-pin SODIMM
Display	VGA	Up to 1920 x 1200
	DVI	Support 1920 x 1200
	HDMI	1920x1200
	VGA+DVI+HDMI	Yes, VGA + DVI+HDMI
LAN	LAN	2×Intel Gbe LAN controller (Up to 6×LAN ports)
Audio	Port	Optional
	Amplifier	N/A
I/O	COM	4 x RS-232 (Up to 8×ports)
	LPT(optional)	1*LPT
	USB	8x USB3.0/2.0/1.1, (include 4x USB3.0/2.0/1.1)
Other	DIO(optional)	8 x isolated DI, 8x isolated DO
	WatchDog	255 seconds programmable
Expansion slot	MiniPCIe	2 * full size PCIe with SIM holder
	PCIe & PCI	1 x PCIe x16 slot or 1 x 32bits PCI
Storage Medium	HDD (optional)	2 x 2.5" HDD Bay (Max rate SATA III 6.0 Gb/s)
	SSD (optional)	1 * MSATA
OS	Microsoft Windows	Windows 7, Windows 7 Embedded, Windows 10
	Linux	Ubuntu
Power	Type	AT
	input voltage	AC 90 -264 V input
	Power Adapter	Optional
Power Dissipation	No-load	27Watt
	Full-load	55Watt (According to the CPU set, total power not exceeding 100W
Mechanism Parameters	Box structure	Aluminum alloy BOX
	Color	Silver
	Mounting	Rack-mount
	Dimensions (L*W*H)	483mm*252mm*88mm (19.02" x 9.92" x 3.46")
	NW	7.2KG
Environmental	Work Temperature	-20 ~ 60°C (-4°F ~140°F) (Wide temperature SSD),
		0 ~ 45°C (32°F ~113°F) (General temperature HDD/SSD)
	Storage Temperature	-40 ~ 80°C (-40 ~ 176°F)
	Relative humidity	5~95% (Non condensation)
	Shake	SSD applied: 1.5 Grms, IEC 60068-2-64, random, 5 ~ 500 Hz, 1 hr/axis
	Shock	SSD applied: 10 G, IEC 60068-2-64, Half-sine wave, 11ms duration
	EMC	CE/FCC Class A
Safety Certification	CCC	

Dimensions :



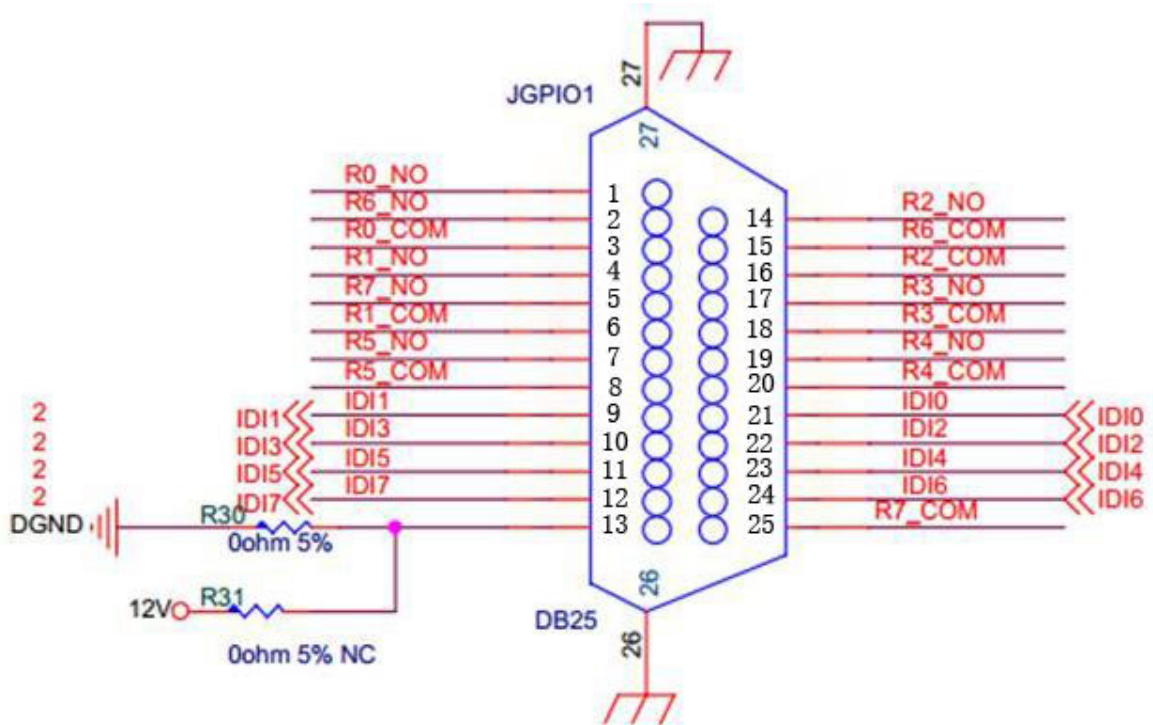
A: DC OUT 12V	H:4*USB3.0	O:LAN (Optional)
B:DVI	I: LAN (Optional)	P:COM8 (Optional)
C: VGA	J:2*LAN	Q:COM7 (Optional)
D:COM4	K:LAN (Optional)	R:DIO (Optional)
E:COM3	L:COM6 (Optional)	S:LPT (Optional)
F:COM2	M:COM5 (Optional)	
G:COM1	N:LAN (Optional)	



A: LINE OUT	E:SIM	I: POWER SWITCH
B:MIC IN	F:4*USB2.0	J: 2*2.5 HDD
C: KB/MS	G: HDD/PWR LED	
D:HDMI	H: REMOTE SWITCH	

PS:

DIO 定义



Pin	Pin Assignment	Pin	Pin Assignment	Pin	Pin Assignment
1	R0_NO	9	DI1	17	R3_NO
2	R6_NO	10	DI3	18	R3_COM
3	R0_COM	11	DI5	19	R4_NO
4	R1_NO	12	DI7	20	R4_COM
5	R7_NO	13	DI.COM 或 DI.GND	21	DI0
6	R1_COM	14	R2_NO	22	DI2
7	R5_NO	15	R6_COM	23	DI4
8	R5_COM	16	R2_COM	24	DI6
				25	R7_COM

Ordering Information :

Product Code	描述
eBOX-3000-ETC	No CPU/No memory/No hard disk/4*RS232/2*LAN/8*USB2.0 (4 of them support USB3.0) /DVI/VGA/HDMI/PS2/Audio card/ AC 90 -264 V input/Two-year warranty

Optional Equipment :

2030100001	PSB-10+ST3 L=1.8M,0.75×3
Memory	Support DDR4 2400, 2×260-pin , SO-DIMM Slot, Up to 32 GB Memory Size
Hard disk	Support 2.5" HDD , MSATA hard disk
CPU	Intel® Core™ 6th / 7th generation i7 / i5 / i3 / Pentium / Celeron, LGA1151 Inter®Celeron™ Series : G3930 Inter®Pentium™ Series : G4600 Inter®Core™ Series : I3-6100/7100,I5-6500T/6500/7500/7500T , I7-6700T/7700T