



eBOX-3310

V2.0

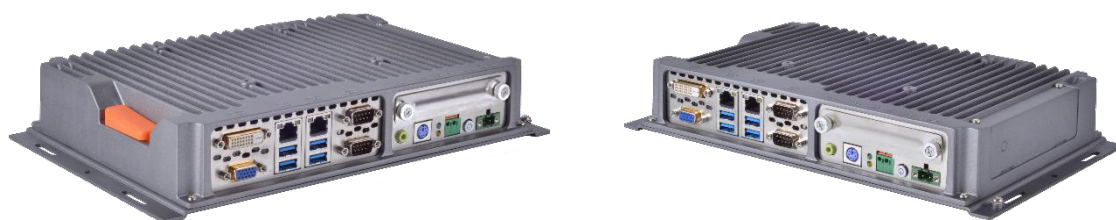
Industrial Computer

Intel® Core™ i3/ i5/ Celeron

low-power processor

Wall-mounted and fanless mini PC



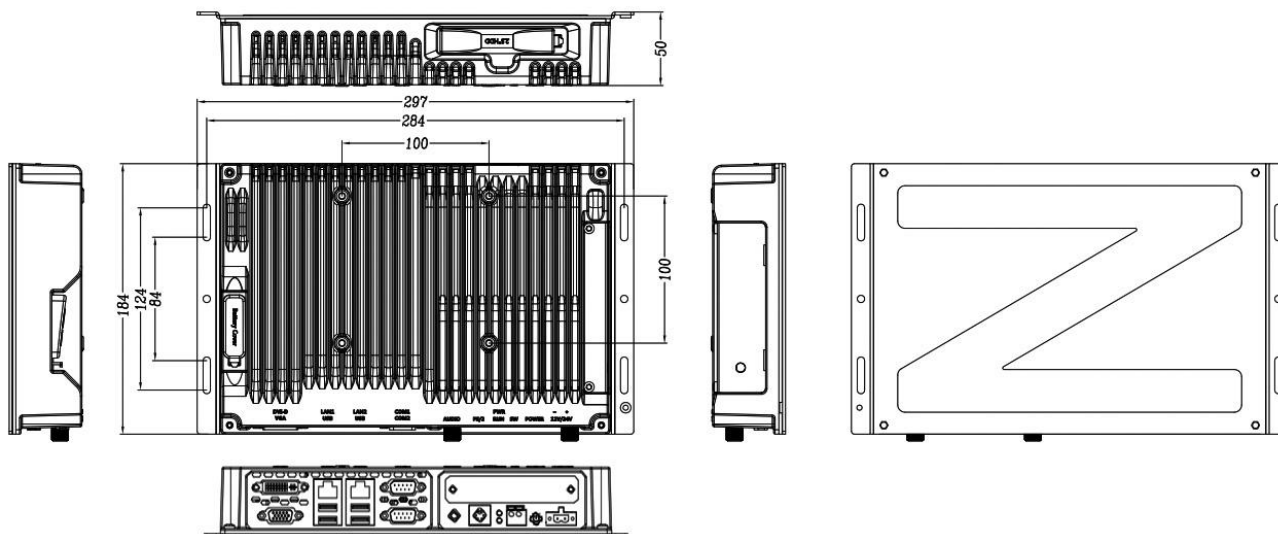


Specifications :

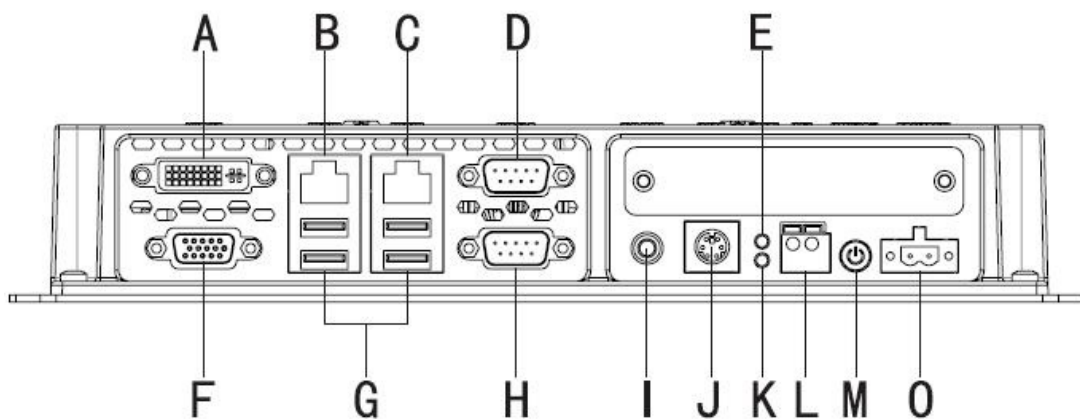


Processor	CPU	Intel® Celeron® J6412 / 4205U / J1900 / Core™ i5 7200U
	Base Frequency	Quad core 2.0GHz / Dual Core 1.8GHz / Quad core 2.0GHz / Dual Core 2.5GHz
	L2 Cache	1.5MB/2MB/2MB/3MB
	Chipset	Integrated PCH-LP
Memory	Architecture	DDR4-2400MHz / DDR4-2400MHz / DDR3L-1333MHz / DDR3L-1600MHz
	Capacity	Up to 16GB / Up to 16GB / Up to 8GB / Up to 8GB
	DIMM	1×SODIMM
	VGA	1920 x 1200 @ 60Hz or 2048 x 1152 @ 60Hz with reduced blanking
	DVI-D	1920 x 1200 @ 60Hz or 2048 x 1152 @ 60Hz with reduced blanking
	HDMI	N/A
	Dual display	Yes, VGA + DVI
LAN	LAN1	Intel Gbe LAN controller
	LAN2	Intel Gbe LAN controller
Audio	Port	Optional
I/O	COM	2 x RS-232/485 (Max to 6 from EasyBUS)
	USB	4 x USB3.0/2.0/1.1
Other	Digital IO	16x GPIO (Optional)
	WatchDog	255 seconds programmable
Expansion slot	MiniPCIe	1 * full size PCIe with SIM holder
	PCIe & PCI	N/A
	SSD& HDD	1 x 2.5" SATA bay + 1 x mSATA
OS	Microsoft Windows	Windows 7, Windows 10, Linux
Power	Type	AT
	Input voltage	12-24VDC ±10%
	Minimum Input	AC to DC, DC12V/5A, 60W (Optional)
	Power Adapter	5-30W
Mechanism Parameters	Box structure	Aluminum-magnesium alloy BOX
	Mounting	Support Desktop,Wall-mounted and VESA mounting
	Dimensions (L*W*H)	297mm x 184mm x 50mm (11.69" x 7.24" x 1.97")
	NW	2.56KG
Environmental	Work Temperature	-20 ~ 60° C (-4 °F ~140 °F) (Wide temperature SSD) 0 ~ 45° C (32 °F ~113 °F) (General temperature HDD/SSD)
	Storage Temperature	-40 ~ 80°C (-40 ~ 176 °F)
	Relative humidity	5~95% (Non condensation)
	Shake	SSD applied: 1.5 Grms, IEC 60068-2-64, random, 5 ~ 500 Hz, 1 hr/axis
	Shock	SSD applied: 10 G, IEC 60068-2-64, Half-sine wave, 11ms duration
	EMC	CE/FCC Class A
	Safety Certification	CCC

Dimensions :



I/O :



A:DVI-D	B:LAN1	C:LAN2
D:COM1	E:Power LED	F:VGA
G:USB	H:COM2	I:Line out
J:PS/2	K:HDD LED	L:SW
M:Power Switch	O:DC IN(12V/24V)	