

eBOX-3670

- Fanless Industrial BOX PC
- Low power consumption and high performance

■ Feature

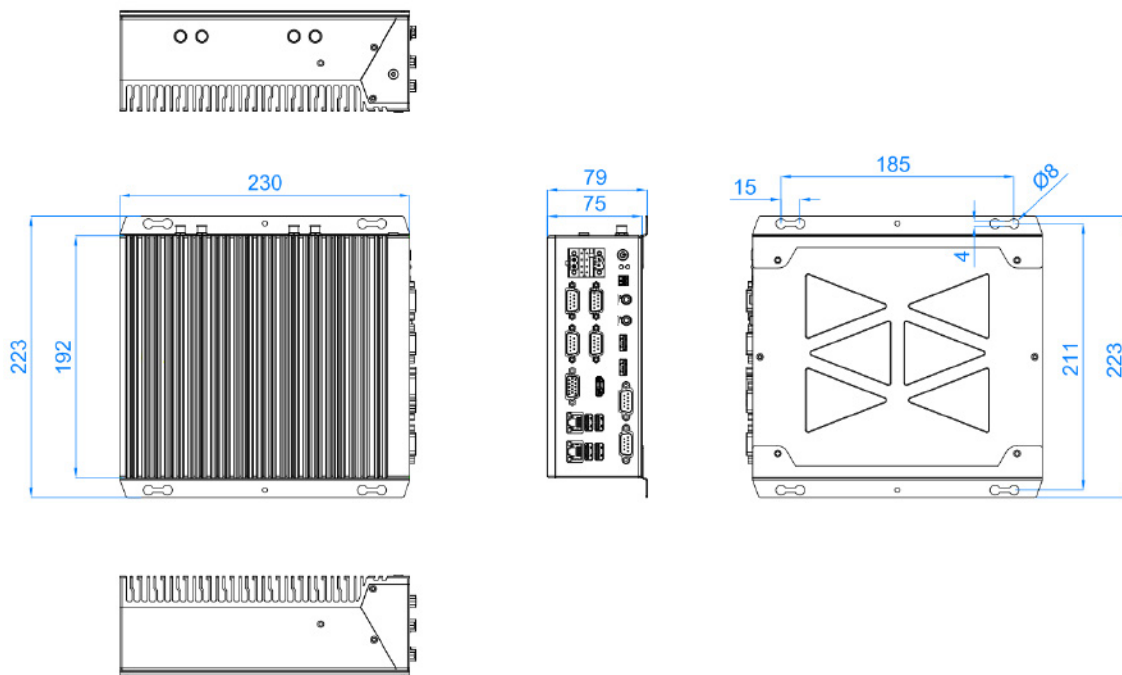
- Modular design, support Intel the 6/7/8 Gen. CPU, 10/11 Gen. CPU (TDP35W)
- 2 x Realtek GbE LAN
- 4x USB3.0, 2 x USB2.0, a USB2.0 dongle built in
- 2 x RS232/RS485, 4x RS232
- Supports HDMI and VGA display ports
- 2x miniPCIe expansion slot for 3G/4G modules
- 1x 2.5" SATA, 1 x M.2 disk interface, supports SATA disks
- DC12-24V input, with over current, over voltage and anti - reverse connection protection
- Support -20 ° C to 60 ° C wide temperature environment



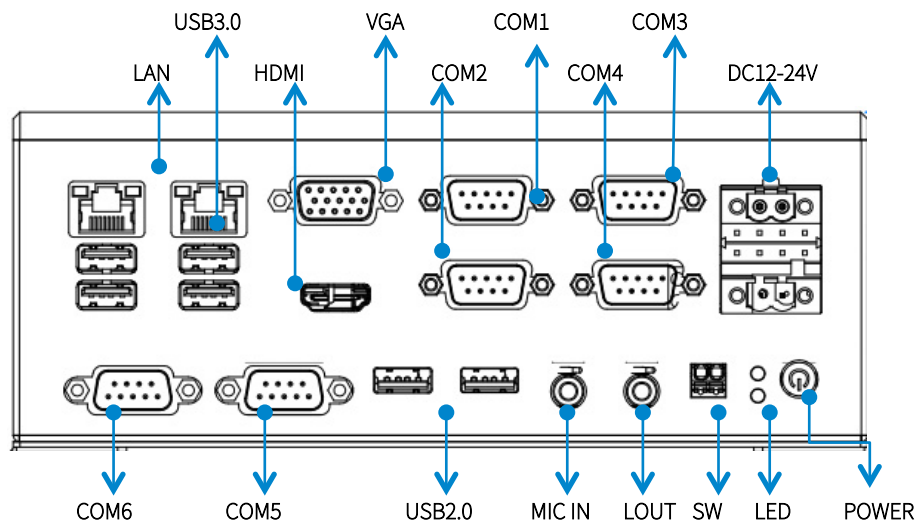
■ Specifications

Model Name		eBOX-3670-A	eBOX-3670-B
System	CPU	Intel 6/7/8 th Gen.LGA1151 socket CPU (TDP35W)	Intel 10/11 th Gen.L1200 socket CPU (TDP35W)
	Chipset	H110	H510
	Memory	2*DDR4-2400MHz, MAX 32GB	
	Storage	1x 2.5" SATA , 1 x M.2 Key-M Slot (SATA SSD, 2280)	
	USB	4 x USB3.0, 2 USB2.0	
	COM	COM1~COM2: RS232/RS485; COM3~COM6: RS232	
	LAN	2 x Realtek GbE LAN	
	HDMI	4096 x 2160@30Hz	
	VGA	1920 x 1200@60Hz	
	Extension IO	2 x full size miniPCIe card slot with SIM card slot expandable WIFI/4G	
	Watch Dog	Level 1 to 255 programmable Settings	
OS	Microsoft Windows	Windows 10 IoT, Windows 11	
	Linux	Ubuntu	
Power	Input voltage	DC12-24V ±10%, overcurrent, overvoltage and polarity inverse protection	
	Power Consumption	35W	
Mechanical Paramete	Structure	Aluminum-magnesium alloy box, Fanless design, Wall-mounted	
	Dimensions	(L)230mm x (W)192mm x (H)75mm	
	Net Weight	3.6Kg	
Environment	Work Temperature	-20°C ~ 60°C (-4°F~140°F) with air flow (mSATA), 5~95% (Non-condensing)	
	Storage Temperature	-40°C ~ 80°C (-40°F ~ 176°F) with air flow (msATA), 5~95% (Non-condensing)	
	Relative humidity	5~95% (Non-condensing)	
	Operating Vibration	5~500Hz, 1.5Grms@with SSD, Follow IEC60068-2-64	
	Operating Shock	10G peak acceleration(11ms duration) with SSD, Follow IEC60068-2-27	
EMC	CE/FCC Class B		

■ Dimensions (unit: mm)



■ IO Port



■ Ordering Information

P/N	Model Name	Specifications
6033000001	eBOX-3670-A	Quasi-system, L510 core module, support intel the 6/7/8 th generation LGA1151 35watt CPU, 12-24V input, 6 serial port, 6USB, 2LAN, VGA+HDMI display output
6039900043	eBOX-3670-B	Quasi-system, L520 core module, support Intel the 10/11 th generation LGA1200 35Watt cpu, 12-24V input, 6 serial port, 6USB, 2LAN, VGA+HDMI display output

■ Option Items

Accessories	Specifications
DDR4 memory	4GB,8GB,16GB
mSATA	128GB,256GB,512GB... ..
M.2 SSD	512GB, 1TB... ..
4G module	mini PCIE: EC20, EG25, EC25