



IPC-615G2-W580 V1.0

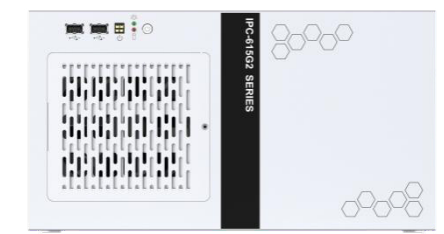
Industrial Computer



Support 10-11th Generation Intel® Core/Pentium/Celeron Desktop CPU,LGA1200

Industrial Computer



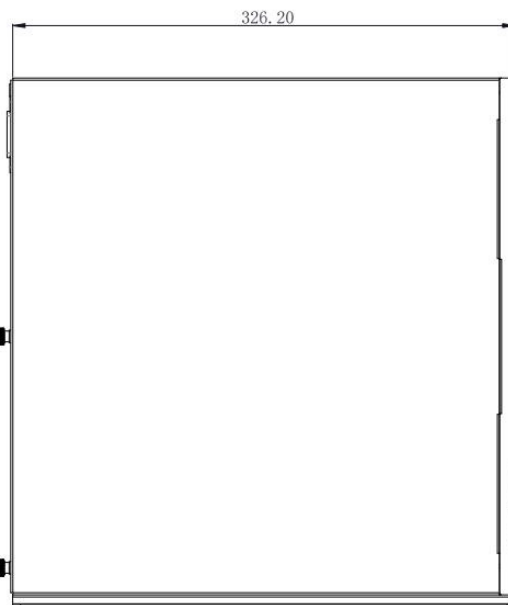
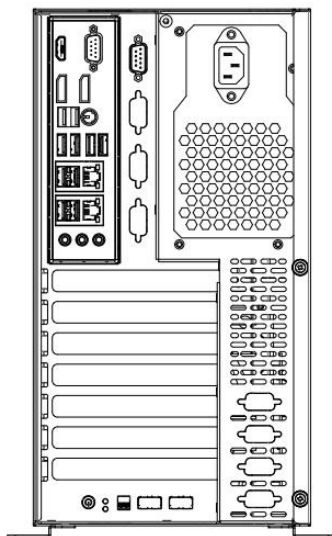
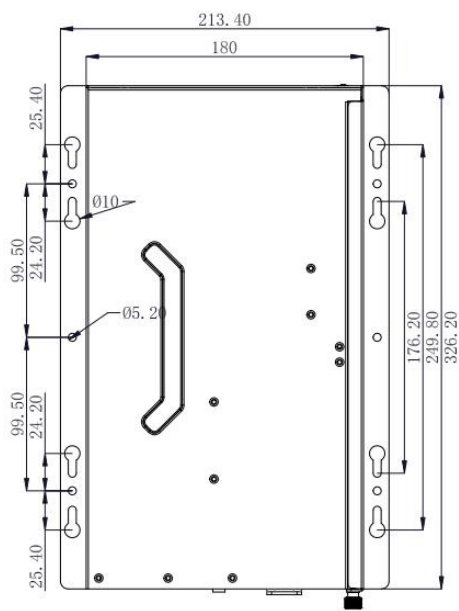
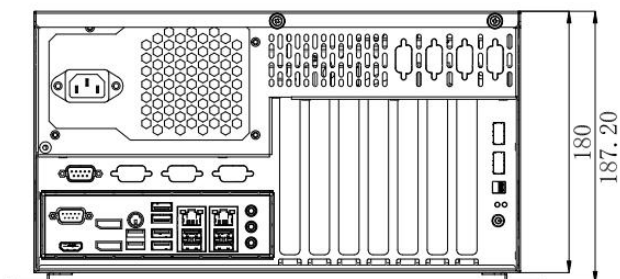
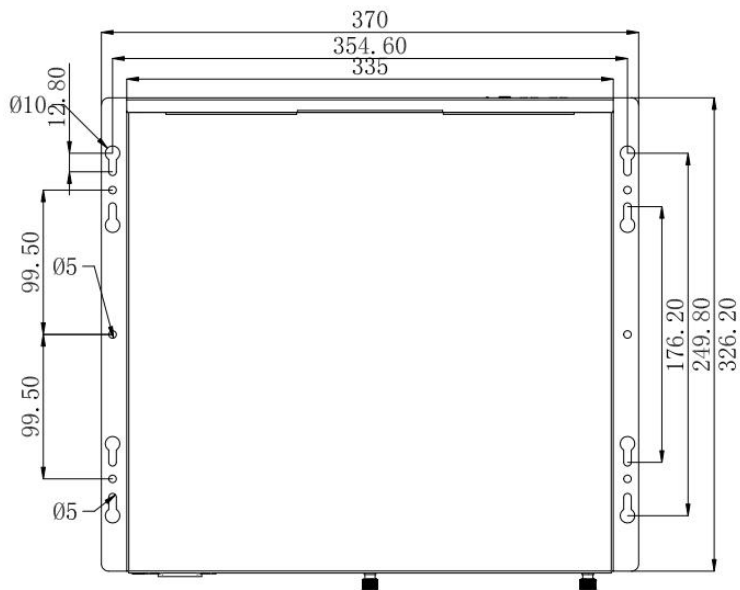


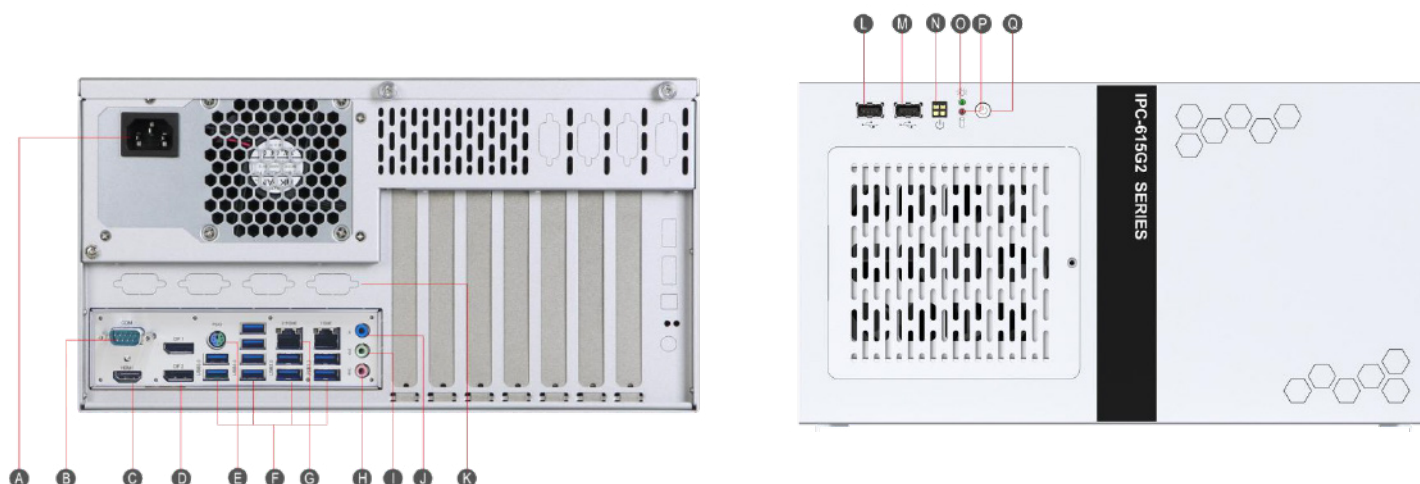
Specifications:



Processor	CPU	Support Intel® 10/11th Generation Core / Pentium/ Celeron Desktop CPU, LGA1200 Support MAX CPU TDP: Deca-Core 125W
Memory	Architecture	DDR4-2133/2400/2666/2933/3200
	Capacity	Up to 128 GB
	DIMM	4× 288PIN DDR4 UDIMM
Display	HMDI	Support 4096x2160@30Hz
	DP*2	Support 4096x2160@30Hz
	Multi-channel display	Supports three asynchronous displays
LAN	LAN1	Intel GbE LAN controller
	LAN2	Intel GbE LAN controller
Audio	Port	Optional
I/O	COM	6 COM(COM1&2 support RS232/422/485, COM3-6 support RS232)
	USB	10 * USB3.0 (TYPE-A, Rear IO) 2 * USB2.0 (TYPE-A, Rear IO)
Other	MiniPCIe	NA
	PCIe & PCI	4 x PCIe x4 slot + 1 x PCIe x16 slot +1 x PCIe x16 slot (X8signal) 1 x 32bits PCI slot
	SSD、HDD	1 *M.2 2242/2280 Key-M SSD supports SATA bus or Nvme x4 (only Gen11 support) 4 *SATA3.0
	RAID	Support RAID 0,1,5
OS	Microsoft Windows	Windows10
	Linux	Ubuntu
Power	Type	ATX
	Power Adapter	AC180~264V or AC 200~240V
	Power Dissipation	Depending on the CPU (elect 300W , 400W , 500W , 600W , 750W)
Mechanism Parameters	Box structure	Hot dip galvanized sheet steel shel
	Mounting	Desktop installation
	Dimensions (L*W*H)	370mm x 326.2mm x187.2mm
	NW	8.2KG
Environmental	Work Temperature	-20 ~ 60° C (-4°F~140°F) (Using Wide Temperature Grade Solid State Hard Dis)
		0 ~ 45° C (32 °F ~113 °F) (Use normal temperature grade mechanical hard disk)
	Storage Temperature	-40 ~ 80°C (-40°F~185°F)
	Relative humidity	5~95% (No condensation)
	Shake	SSD applied: 1.5 Grms, IEC 60068-2-64, random, 5 ~ 500 Hz, 1 hr/axis
	Shock	SSD applied: 10 G, IEC 60068-2-27, Half-sine wave, 11ms duration
	EMC	CE/FCC Class B
Safety Certification	CCC	

Dimensions :





A: AC IN	B: COM1	C: HDMI
D: DP	E: PS2	F: USB3.0*10
G: LAN*2	H: MIC-In	I: Speaker-Out
J : Line-In	K: Optional	L: USB2.0
M: USB2.0	N: WS	O: POWER LED
P: HDD LED	Q: POWER	

Ordering Information :

Product Type	Description
IPC-615G2-W580-P300	NO CPU/NO SODIMM/4*RS232/ 2* (RS232/485/422) 2×LAN /12*USB2.0 (Include 10xUSB3.0) /DP*2/HDMI/ PCI/6PCI-E /AC IN 220V / Built-in 300W power/Two-year warranty
IPC-615G2-W580-P400	NO CPU/NO SODIMM/4*RS232/ 2* (RS232/485/422) 2×LAN /12*USB2.0 (Include 10xUSB3.0) /DP*2/HDMI/ PCI/6PCI-E /AC IN 220V / Built-in 400W power/Two-year warranty
IPC-615G2-W580-P500	NO CPU/NO SODIMM/4*RS232/ 2* (RS232/485/422) 2×LAN /12*USB2.0 (Include 10xUSB3.0) /DP*2/HDMI/ PCI/6PCI-E /AC IN 220V / Built-in 500W power/Two-year warranty
IPC-615G2-W580-P600	NO CPU/NO SODIMM/4*RS232/ 2* (RS232/485/422) 2×LAN /12*USB2.0 (Include 10xUSB3.0) /DP*2/HDMI/ PCI/6PCI-E /AC IN 220V / Built-in 600W power/Two-year warranty
IPC-615G2-W580-P750	NO CPU/NO SODIMM/4*RS232/ 2* (RS232/485/422) 2×LAN /12*USB2.0 (Include 10xUSB3.0) /DP*2/HDMI/ PCI/6PCI-E /AC IN 220V / Built-in 750W power/Two-year warranty