

NP -6111 -CAN2

- Fanless, Low power consumption
- 2 x CAN Bus 2.0 A/B

■ Features

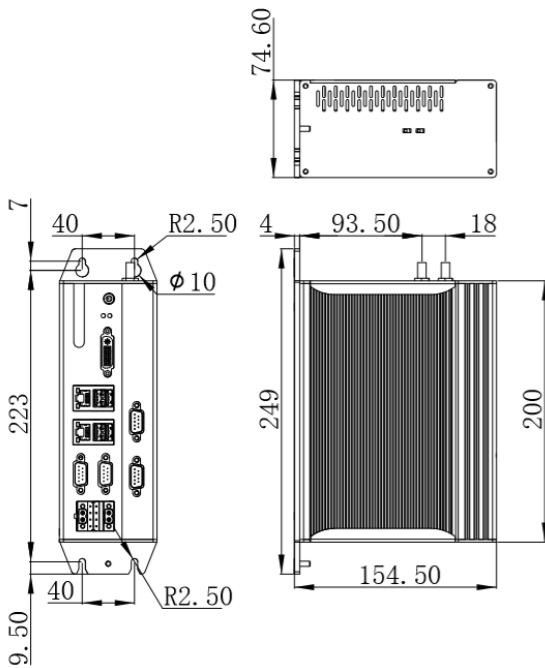
- 2 x Intel GbE LAN controller
- 4 x USB on the front, 1 x USB2.0 on board for USB dongle
- 2 x RS232/485, RS485 support auto flow control
- 2 x CAN Bus 2.0A/B
- DC12~24V Power supply with overcurrent, overvoltage and polarity inverse protection
- Support wall-mounted or DIN-Rail fixing style
- Fully enclosed structure, fanless and no cable design
- Wide operating temperature -20 ~ 60°C supported



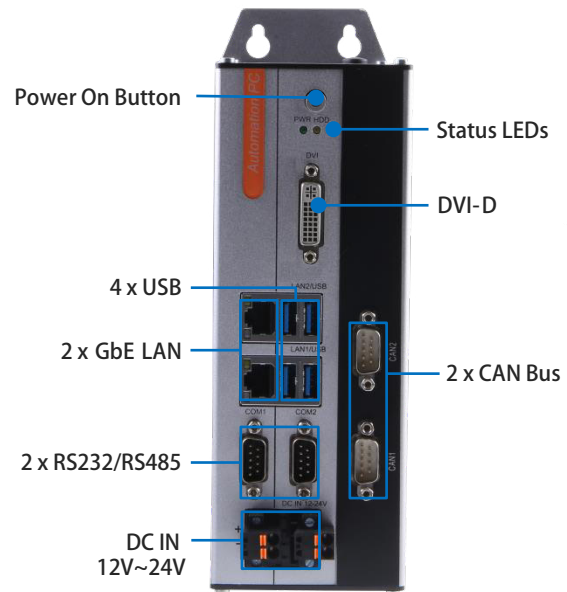
■ Specifications

Model Name		NP -6111 -CAN2 -J1900	NP -6111 -CAN2 -E3845	NP -6111 -CAN2 -J3455	NP -6111 -CAN2 -J6412
System	CPU	Intel® Celeron J1900, 2.0GHz, 4 cores/4 threads, 2MB L2 cache	Intel® Atom E3845, 1.91GHz, 4 cores/4 threads, 2MB L2 cache	Intel® Celeron J3455, 1.5~2.3GHz, 4 cores/4 threads, 2MB L2 cache	Intel® Celeron J6412, 2.0~2.6GHz, 4 cores/4 threads, 1.5MB L2 cache
	TDP	10W			
	BIOS	AMI UEFI 64Mbit			
	Memory	1 x SO-DIMM DDR3L - 1333MHz (max. 8GB)			1 x SO-DIMM DDR4 - 2400MHz (max. 16GB)
	Storage	1 x mSATA bay			
	USB	1 x USB3.0, 3 x USB2.0 1 x USB2.0 Type A on the board for USB dongle		2 x USB3.0, 2 x USB2.0	
	COM	2 x COM(DB -9), selectable to support RS232 or RS485 mode by the switch, RS485 support auto flow control, (ESD protection for RS232: Air gap ± 8KV, Contact ± 6KV)			
	Ethernet	2 x Intel GbE LAN controller			
	DVI-D	Support up to 1920 x 1080 @ 60Hz			
	CAN Bus	2 x CAN Bus 2.0 A/B			
	Watch Dog	1~255 levels programmable			
OS Support	Microsoft Windows	Windows 7, Windows 7 Embedded, Windows 10 IoT			
	Linux	Ubuntu, CentOS, Debian			
Power	Voltage Input	DC12~24V ±10%, overcurrent, overvoltage and polarity inverse protection			
	Power Consumption	Max. 45W			
Chassis	Structure	Aluminum-magnesium alloy box, Fanless, Wall-mounted or DIN-Rail			
	Dimensions	(L)200mm x (W)154.5mm x (H)74.6mm			
	Net Weight	1.8Kg			
Environment	Work Temperature	-20°C ~ 60°C (-4°F~140°F) with air flow (SSD)			
	Storage Temperature	-40°C ~ 80°C (-40°F ~ 176°F) with air flow (SSD)			
	Relative Humidity	5~95% (Non-condensing)			
	Operating Vibration	5~500Hz, 1.5Grms@with SSD, Follow IEC60068-2-64			
	Operating Shock	20G peak acceleration(11ms duration) with SSD, Follow IEC60068-2-27			
	EMC	CE/FCC Class A			

■ Dimensions (Unit: mm)



■ Interfaces



■ Ordering Information

Part No.	Product	Description
6070200037	NP-6111-CAN2-J1900	CPU:J1900, RAM:NULL, mSATA: NULL, 2 x COM(RS232/485 selectable), 2 x LAN, 1 x USB3.0, 3 x USB2.0, 2 x CAN Bus, DVI-D, DC12~24V Power input
6070200116	NP-6111-CAN2-E3845	CPU:E3845, RAM:NULL, mSATA: NULL, 2 x COM(RS232/485 selectable), 2 x LAN, 1 x USB3.0, 3 x USB2.0, 2 x CAN Bus, DVI-D, DC12~24V Power input
6070200161	NP-6111-CAN2-J3455	CPU:J3455, RAM:NULL, mSATA: NULL, 2 x COM(RS232/485 selectable), 2 x LAN, 2 x USB3.0, 2 x USB2.0, 2 x CAN Bus, DVI-D, DC12~24V Power input
6070200162	NP-6111-CAN2-J6412	CPU:J6412, RAM:NULL, mSATA: NULL, 2 x COM(RS232/485 selectable), 2 x LAN, 2 x USB3.0, 2 x USB2.0, 2 x CAN Bus, DVI -D, DC12~24V Power input

■ Options

Parts	Description
DDR3L Memory	DDR3L-1333MHz: 4GB, 8GB
DDR4 Memory	DDR4-2400MHz: 4GB, 8GB, 16GB
mSATA SSD	64GB, 128GB, 256GB, 512GB, 1TB
Mount Option	DIN-Rail

Note: If some optional parts are offered with the system, additional system certificates may be required in certain regions/countries. Please contact CCEST for certificate compliance.