

NP -6125 -H1

- Desktop High Performance CPU
- PoE, DIO and Light control All In One Design

■ Features

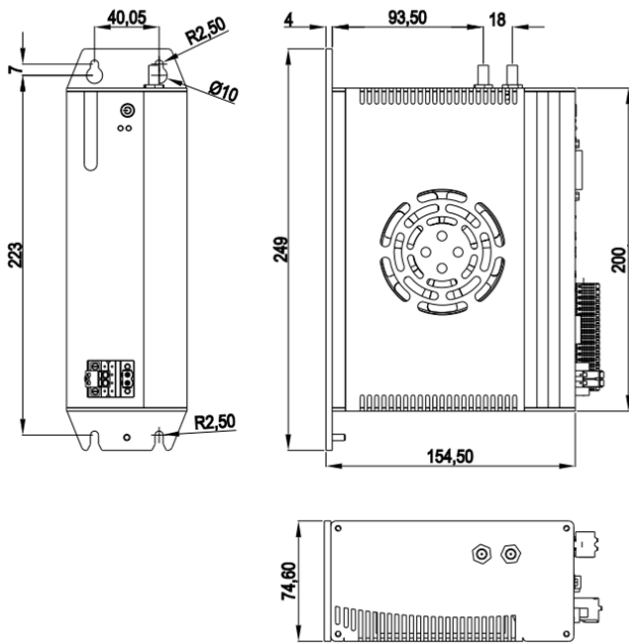
- Support Intel® Core™ 6th/7th/8th generation i7/i5/i3/Pentium/Celeron high performance processors, Max. TDP 65W
- 2 x Intel GbE LAN controller
- 4 x Intel GbE PoE LAN controller
- 4 x USB3.0, USB2.0 Type A on board for dongle
- 2 x RS232/RS485, RS485 support auto flow control
- Support both VGA and HDMI display port
- 1 x miniPCIe expansion slot, Support Wifi,3G/4G modules
- 4 x PWM light control support external trigger input
- 16 x isolated DIO(8 x DI, 8 x DO)
- DC12~24V Power supply with overcurrent, overvoltage and polarity inverse protection
- Support wall-mounted or DIN -Rail fixingstyle
- Wide operating temperature -20 ~ 60°C supported



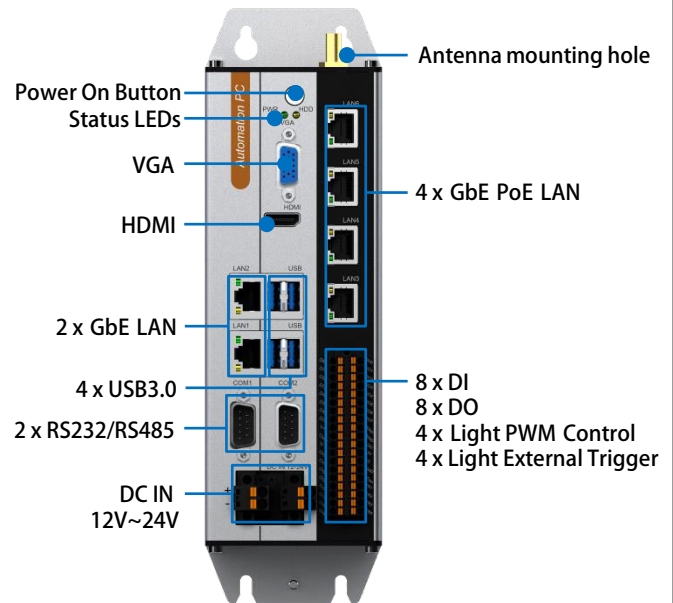
■ Specifications

| Model Name | NP -6125 -H1 | |
|-------------|---------------------|--|
| System | CPU | Intel® Core™ 6th/7th/8th gen i7/i5/i3/Pentium/Celeron LGA1151 type CPU |
| | TDP | Max. 65W |
| | BIOS | AMI UEFI 64Mbit |
| | Memory | 2 x SO -DIMM DDR4 , max up to 32GB |
| | Storage | 1 x mSATA bay |
| | | 1 x M.2(B Key, Type 2280) bay support SATA |
| | USB | 4 x USB3.0, 1 x USB2.0 Type A on the board for USB dongle |
| | COM | 2 x COM(DB -9), selectable to support RS232 or RS485 mode by the switch, RS485 support auto flow control, (ESD protection for RS232: Air gap ±8KV, Contact ±6KV) |
| | Ethernet | 2 x Intel GbE LAN controller |
| | PoE | 4 x Intel GbE PoE LAN controller, max. 15W per channel |
| | DI | 8 x DI NPN/PNP , isolated 2500 Vrms |
| | DO | 8 x DO, Transistor output, I _{max} :0.5A per channel, isolated 2500 Vrms |
| | Light Control | 4 x PWM Light power control with external trigger input, I _{max} : 1A per channel |
| | VGA | Support up to 1920 x 1080 @60Hz |
| | HDMI | Support up to 3840 x 2160 @60Hz |
| | Expansions | 1 x Full-size PCIe Mini slot with SIM card holder(with USB signal) |
| | Watch Dog | 1~255 levels programmable |
| OS Support | Microsoft Windows | Windows 10 IoT |
| | Linux | Ubuntu, CentOS, Debian |
| Power | Voltage Input | DC12~24V ±10%, overcurrent, overvoltage and polarity inverse protection (Must be DC24V when using Light Control) |
| | Power Consumption | Max. 250W |
| Chassis | Structure | Aluminum-magnesium alloy BOX with fan embedded to assist cooling, Wall-mounted or DIN -Rail fixing style. |
| | Dimensions | (L)200mm x (W)154.5mm x (H)74.6mm |
| | Net Weight | 2.4Kg |
| Environment | Work Temperature | -20 °C ~ 60 °C (-4°F~140°F) with air flow (SSD) |
| | Storage Temperature | -40 °C ~ 80 °C (-40°F ~ 176°F) with air flow (SSD) |
| | Relative Humidity | 5~95% (Non-condensing) |
| | Operating Vibration | 5~500Hz, 1.5Grms@with SSD, Follow IEC60068-2-64 |
| | Operating Shock | 20G peak acceleration(11ms duration) with SSD, Follow IEC60068-2-27 |
| EMC | CE/FCC Class A | |

■ Dimensions (Unit: mm)



■ Interfaces



■ Ordering Information

| Part No. | Product | Description |
|------------|------------|--|
| 6070200148 | NP-6125-H1 | CPU: NULL, RAM: NULL, mSATA: NULL, M.2 SATA: NULL, 2 x RS232/485(Selectable), 2 x LAN, 4 x USB3.0, VGA/HDMI display port, 8 x DI, 8 x DO, 4 x Light control, 4 x External trigger input, 4 x PoE LAN, DC12~24V Power input(must be DC24V input when using Light control) |

■ Options

| Parts | Description |
|--------------|---|
| CPU | Intel® Pentium G3900,G4400 |
| | Intel® Core™ Skylake I3-6100,I3-6100T,I5-6400,I5-6400T,I5-6500,I5-6500T, I7-6700,I7-6700T |
| | Intel® Core™ Kaby Lake I3-7100,I5-7400,I5-7500,I7-7700,I7-7700T |
| | Intel® Core™ Coffee Lake I3-8100,I5-8400,I5-8500,I7-8700 |
| DDR4 Memory | DDR4-2400MHz , 4GB, 8GB, 16GB |
| mSATA SSD | 64GB, 128GB, 256GB, 512GB, 1TB |
| M.2 SATA SSD | 128GB, 256GB, 512GB, 1TB, 2TB |
| Wifi Set | miniPCIE WIFI Set (7260 series) , Cylindrical antenna |
| 3G/4G Module | mini PCIE, EC20, EG25, EC25 |
| Mount Option | DIN-Rail |

Note: If some optional parts are offered with the system, additional system certificates may be required in certain regions/countries. Please contact CCEST for certificate compliance.