



TPC6000-D122-LH V1.0

Industrial Panel PC

12.1" XGA Fanless Industrial Panel PC

Support Intel® Celeron J1900

Support Intel® Atom® E3845



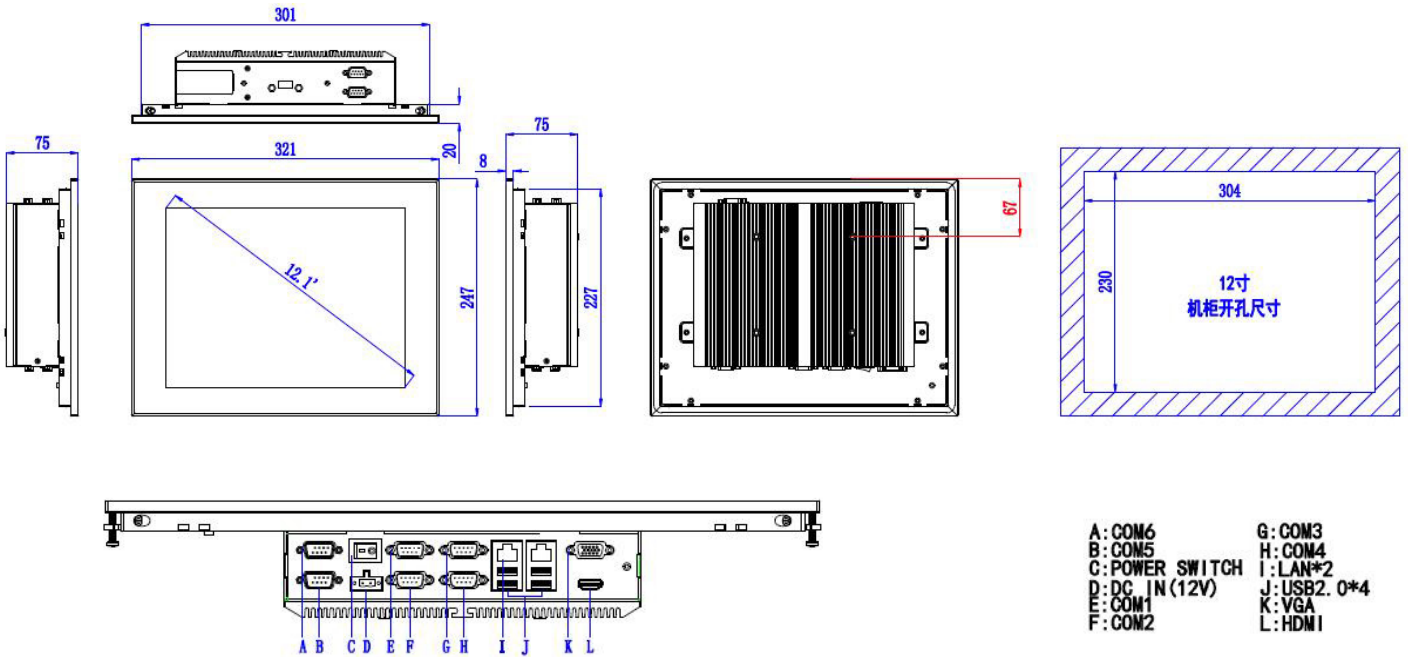


Specifications :



Processor	CPU	Intel®Celeron J1900/Intel®Atom® E3845
	Base Frequency	Quad core 2.0GHz/ Quad core 1.91GHz
	L3 Cache	2MB/2MB
	Memory	1 x 204-pin SODIMM DDR3L-1333MHz support up to 8GB
	Storage Medium	1 x 2.5" SATA bay + 1 x mSATA
I/O	LAN	2 x Inte 1000Mbps RJ-45 with surge protection
	Audio	Optional
	USB	1 x USB3.0/2.0/1.1, 3 x USB2.0/1.1
	COM	6x RS232(COM1 can jumper to RS485,COM5 and COM6 optional RS485 by add on module)
	Expansion slot	1 x Mini-PCIe slot, extensible 3G,WIFI wireless card 1 x EasyBUS slot (option 2x RS232/485/DIO/2x USB/2x LAN)
	Rear I/O	DVI-I / 2 x GLAN / 4 x USB / 2 x COM / 2 x PS2 / Line-out / Mic-in
Physical	Dimensions (W x H x D)	321mm x 247mm x 75mm (12.64" x 9.72" x 2.95")
	Cut Out Size (W x H)	304mm x 230mm (11.97" x 9.06")
	NW	3.34kg
OS	OS	Windows 7, Windows 7 Embedded, Windows8, Windows10, Ubuntu, VXWORKS, QNX
Power	Input voltage	DC 12V,support reverse polarity protection, +9~+30V (Option)
	Maximum Power Dissipation	36.6W
LCD	LCD Size	12.1" XGA TFT
	Resolution	1024 x 768
	Colors	16.7MB
	Active Area (W×H)	245.76mm × 184.32 mm
	Backlight	LED
	MTBF	30000hrs
	Pixel Pitch	0.240 x 0.240
	Luminance	350cd/m2
	Contrast Ratio	800 : 1
Viewing Angle	(L) 80 / (R) 80 / (T) 80 / (B) /80	
Touchscreen	Type	Resistive touch screen
	Resolution	4096 x 4096
	Transmittance	> 75%
	Controller interface	USB
	Driver Support	Windows7, Windows 8, Windows 10, Linux
	Response Time	< 5ms
	Surface Hardness	Mohs' 3H
Environmental	Work Temperature	-20~60°C (-4~140°F)
	Storage Temperature	-30~80°C (-22~176°F)
	Relative humidity	5~95%@40°C(non-condensing)
	Vibration	Operating Random Vibration Test 5~500Hz, 1.5Grms@with SSD, follow IEC 60068-2-64
	Shock	Operating 10G peak acceleration (11ms duration), follow IEC 60068-2-27
	EMC	CE/FCC Class B
Front Panel Protection	IP65 compliant	

Dimensions:
Unit: mm



Ordering Information:

Product Code	Description
TPC6000-D122-LH	12.1"LCD/Intel J1900/E3845 CPU/ No memory/No Hard/(5 x RS232/1 x RS232 or 485) /4 x USB2.0/ resistive touch screen/ 1024 x 768/DC12V

Optional Items :

Adapter	Input: 100~240V~50/60Hz 1.7A Output: +12.0V—5A,60Watt
Memory	DDR3 2G/4G/8G, max to 8G
Storage	Mini SATA SSD: 32G/64G/128G/256G/512G... 2.5" SSD: 32G/64G/128G/256G/512G... 2.5" HDD: 500G/1T...
Wifi	7260 Series
3G/4G module	EC20, EC25, EG25...