

# TPC6000-A153-T

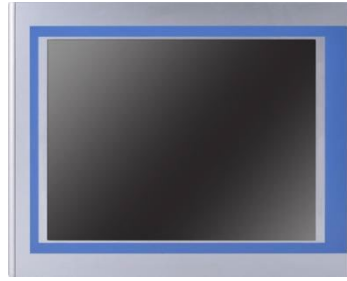
V1.1

Industrial Panel PC



15" XGA Fanless Industrial Panel PC  
Intel® Atom™ E3845  
Intel® Celeron™ J1900/J6412/4205U  
Intel® Core™ i5-7200U/i3-8145U





## TPC6000-A153-T

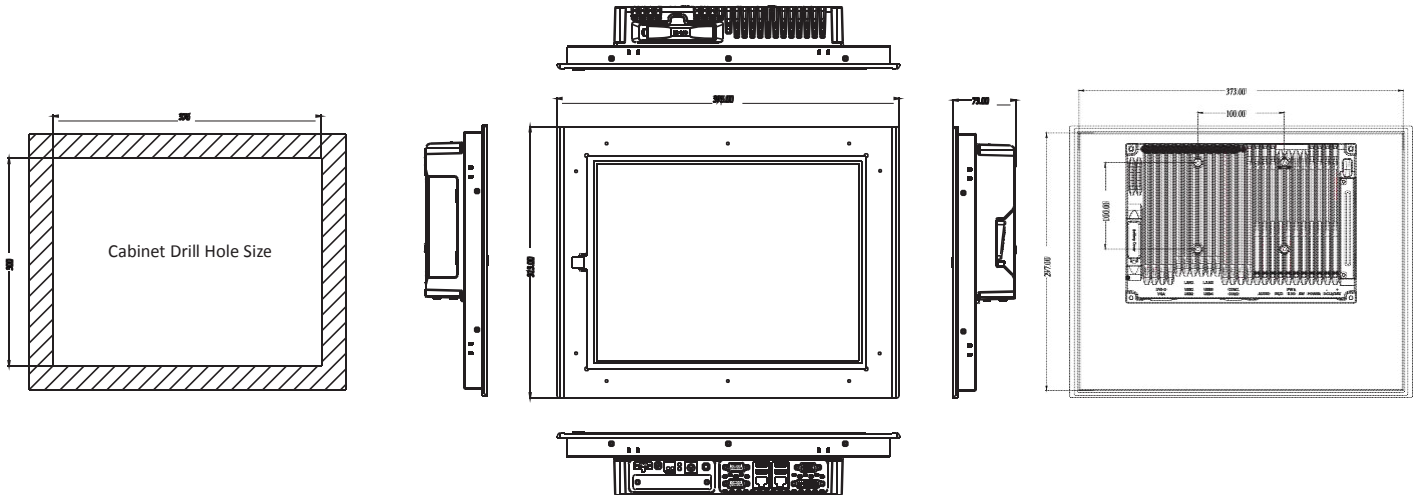


### Specifications:

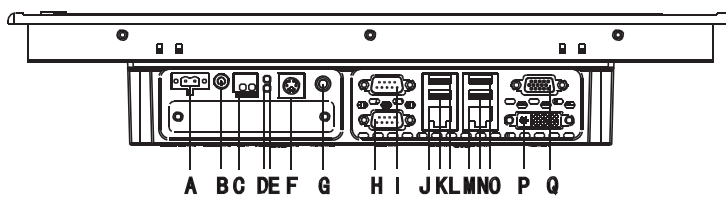
Processor	CPU	Intel® Atom™ E3845	Intel® Celeron™ J1900/J6412 /4205U	Intel® Core™ i5-7200U/i3-8145
	Base Frequency	Four Core 1.91GHz	Four Core 2.0GHz / Dual Core 1.8GHz	Dual Core 2.5/2.1GHz
	L3 Cache	2MB	2MB /1.5MB /2MB	3MB /4MB
	Chipset	Integrated PCH-LP		
	Memory	1*DDR3L-1600, max 8GB / 1*DDR4 2400MHz, max 16GB		
	Storage Medium	1 x 2.5" SATA bay + 1 x mSATA		
I/O	LAN	2 x Intel 1000Mbps RJ-45 with surge protection, lightning protection design and 15KV ESD protection		
	Audio	optional		
	USB	4 x USB3.0/2.0/1.1		
	COM	2 x RS-232 / RS-485 with surge protection, RS485 support automatic flow control		
	Expansion slot	1 x Mini-PCIe slot, extensible 3G, WIFI wireless card; 1 x EasyBUS slot		
	Rear I/O	DVI-I / 2 x GLAN / 4 x USB / 2 x COM / 2 x PS2 / Line-out / Mic-in		
Physical	Dimensions (W x H x D)	395mm x 313mm x 73mm (15.55" x 12.32" x 2.87")		
	Drill Hole Size (W x H)	376mm x 300mm (14.80" x 11.81")		
	NW	5.45kg (12.02lb)		
OS	OS	Windows 7, Windows 7 Embedded, Windows8, Windows10, Linux, VxWorks, QNX		
Power	Input voltage	12-24VDC ±10% , support reverse polarity protection, overvoltage protection, overcurrent protection		
	Maximum Power Dissipation	38.6Watt		
LCD	LCD Size	15" XGA TFT		
	Resolution	1024 x 768		
	Colors	16.7MB		
	Active Area (W x H)	304.13mm x 228.10mm (11.97" x 8.98")		
	Backlight	LED		
	MTBF	30000hrs		
	Pixel Pitch(H x V)	0.297 x 0.297		
	Luminance	420cd/m2		
	Contrast Ratio	800:1		
Touchscreen	Viewing Angle	(L) 80 / (R) 80 / (T) 80 / (B) 80		
	Type	Resistive touch screen		
	Resolution	4096 x 4096		
	Transmittance	> 75%		
	Controller interface	USB		
	Driver Support	Windows 7, Windows8, Windows10, Linux		
	Response Time	< 5ms		
	Surface Hardness	Mohs' Number 3H		
	Click life	250g / 35,000,000 times		
Draw life	250g / 5,000,000 times			
Environmental	Work Temperature	-20 ~ 60°C (-4~140°F)(Wide temperature SSD) 0 ~ 45°C (32°F~113°F) (General temperature HDD/SSD)		
	Storage Temperature	-30 ~ 80 °C(-22 ~ 176°F)		
	Relative humidity	5~95% (Non condensation)		
	Shake	SSD applied: 1.5 Grms, IEC 60068-2-64, random, 5 ~ 500 Hz, 1 hr/axis		
	Shock	SSD applied: 10 G, IEC 60068-2-27, Half-sine wave, 11ms duration		
	EMC	CE/FCC Class B		
	Water-proof	Front panel IP65		

## Dimensions:

Unit : mm



## I/O:



### Interface Definition:

- |                   |         |
|-------------------|---------|
| A: DC IN (12/24V) | J: LAN2 |
| B: Power Switch   | K: USB3 |
| C: Remote Switch  | L: USB4 |
| D: Power LED      | M: LAN1 |
| E: HDD LED        | N: USB1 |
| F: PS/2           | O: USB2 |
| G: Audio          | P: DVI  |
| H: COM1           | Q: VGA  |
| I: COM2           |         |

## Ordering Information:

Product Code	Description
TPC6000-A153-T-J1900	15"LCD/Intel® Celeron J1900 2.0GHz Quad core Processors/No Memory/No Hard Disk/2*RS-232/485(Optional)/2 Gigabit Ethernet ports/4*USB3.0/Resistive Touch Screen/1024*768/DC12V-24V input/Two-year warranty
TPC6000-A153-T-SL3855U	15"LCD/Intel® Celeron™ 3855U 1.6GHz dual-core Processors/No Memory/No Hard Disk/2*RS-232/485(Optional)/2 Gigabit Ethernet ports/4*USB3.0/Resistive Touch Screen/1024*768/DC12V-24V input/Two-year warranty
TPC6000-A153-T-SL7200U	15"LCD/Intel® Core™ i5-7200U 2.5GHz dual-core Processors/No Memory/No Hard Disk/2*RS-232/485(Optional)/2 Gigabit Ethernet ports/4*USB3.0/Resistive Touch Screen/1024*768/DC12V-24V input/Two-year warranty

## Optional Equipment:

Option	Adapter 12V/60W 2 pin Phoenix terminal
Option	Chinese standard Power Line 1.8m
Standard	Touch Pen
Standard	4*Hooks
Standard	Manufacturer Certificate
Standard	Warranty Card
Standard	Random Listing